

**MULTIVIEWERS, CONVERTERS
SCALERS, EXTENDERS, MATRICES and More**

2014 NEW PRODUCTS

ISE EDITION



APANTAC

Video Walls

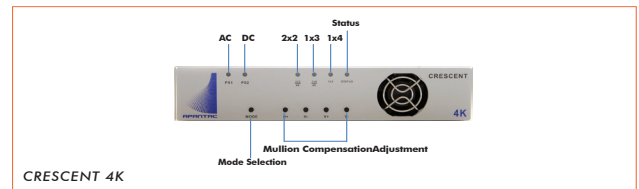
CRESCENT VIDEO WALLS

- ▶ Plug and Play - no software required
- ▶ Mullion compensation
- ▶ Pure hardware architecture - not PC based
- ▶ Accepts 1080p inputs, built-in CATx extenders
- ▶ Built-in color temperature adjustments
- ▶ Source can be up to 115 ft/35 meters away
- ▶ Supports 1366x768 or 1920x1080p monitors
- ▶ 2x2 mode: works with 2x2 or 4K monitor
- ▶ 1x3 mode: works with 3 monitors in portrait mode
- ▶ 1x4 mode: works with the latest 4K monitors



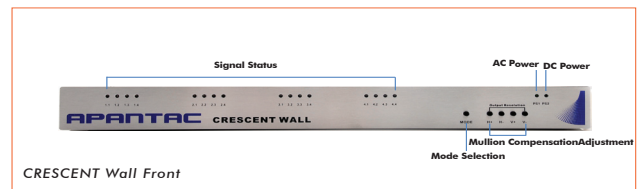
4K (2x2)

- ▶ Half width 1 RU
- ▶ Maximum resolution up to 3840x2160 (2x2 mode, 4 displays or 4K)
- ▶ Can be configured as 2x2, 1x3 (Portrait mode), or 1x3 (Landscape Mode) **NEW!**



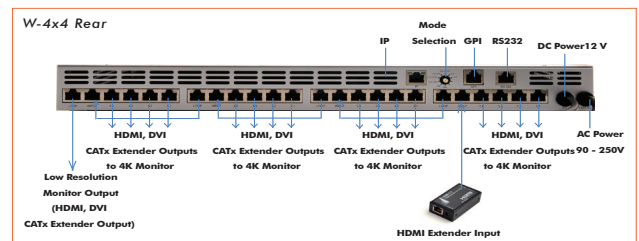
W-3X3

- ▶ 1 RU
- ▶ Maximum resolution up to 5760x3240 (3x3 mode, 9 displays)
- ▶ Can be configured as 2x3 (crop), 3x3, 3 times 2x2, 3 times 1x3 **NEW!**



W-4X4

- ▶ 1 RU
- ▶ Maximum resolution up to 7680x4230 (4x4 mode, 16 displays)
- ▶ Can be configured as 4x4, 3x4 (crop) **NEW!**, 4 times 2x2, 4 times 1x3



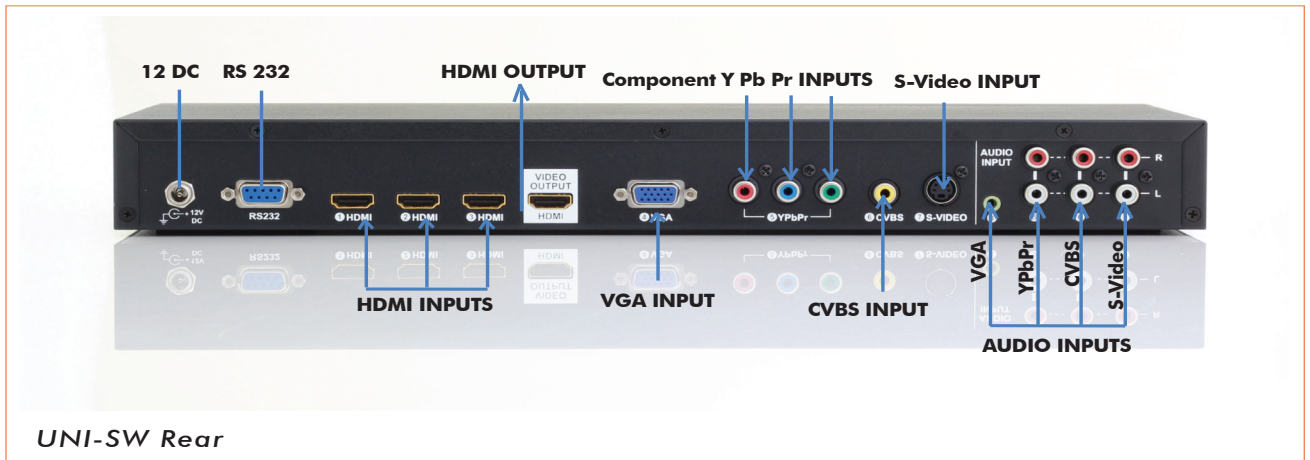
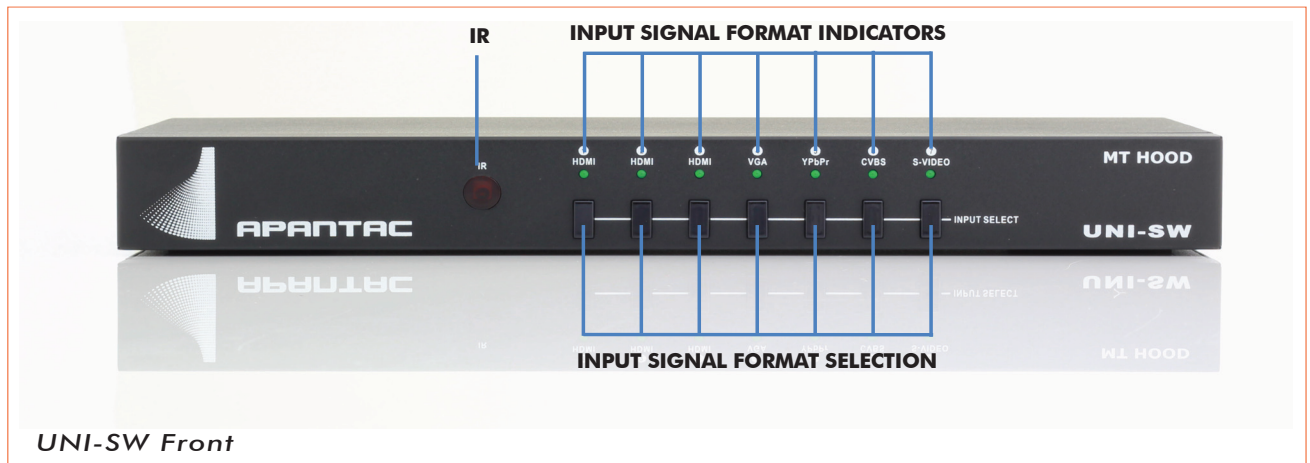
DCS Option **NEW!**

- ▶ Hand held color calibration unit
- ▶ Automatically calibrates each output of the wall to color match with the selected color temperature

UNIVERSAL Switch

8 x 1 Universal Switch

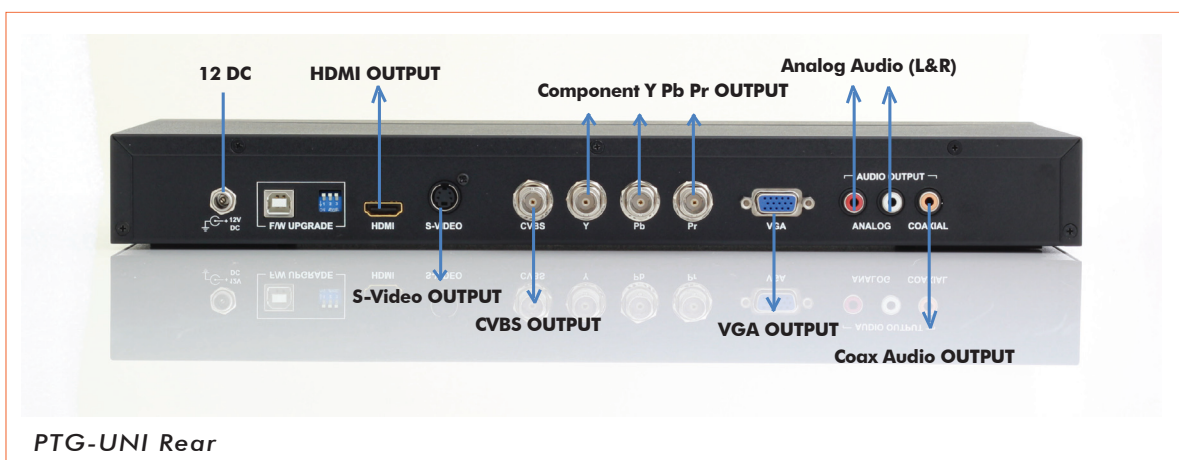
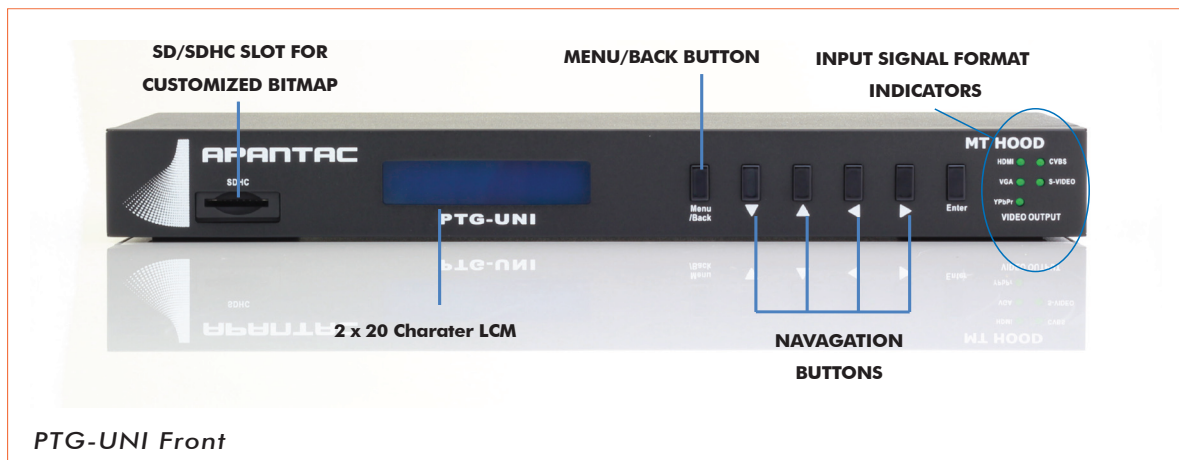
- ▶ Deep Color support up to 12 bits
- ▶ Fully HDCP compliant
- ▶ 3 x HDMI, 1 x VGA, 1 x YPbPr, 1 x CVBS, 1 x S-Video Inputs
- ▶ Discrete analog audio inputs for VGA, YPbPr, CVBS and S-Video
- ▶ Resolution supports up to 1080P
- ▶ IR remote control
- ▶ RS232 control
- ▶ 12 V DC power
- ▶ 1 RU
- ▶ **Model: UNI-SW**



UNIVERSAL Pattern Generator

Universal Pattern Generator

- ▶ Supports Multiple Formats (HDMI, VGA, YPbPr, CVBS and S-Video)
- ▶ HDMI, HDCP and DVI compliant
- ▶ Supports a total of 51 timings (up to UXGA/1080P)
- ▶ Provides a total of 31 patterns
- ▶ Accepts customized bitmap (.bmp) patterns via SD/SDHC card slot
- ▶ User Friendly Interface with up/down/left/right buttons and LCM display
- ▶ Supports analog and digital audio (SPDIF) out with 48KHZ sample rate, 1 KHz tone
- ▶ 12 V DC power
- ▶ 1 RU
- ▶ **Model: PTG-UNI**



CONFERENCE CONNECT - HD

Conference Connect HD

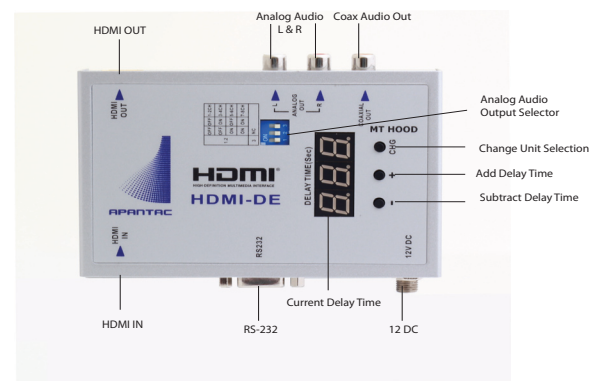
- ▶ Conference room display / projector sharing solution
 - ▶ Each node supports 2 source inputs
 - ▶ Up to 20 nodes in a system
 - ▶ Maximum distance between nodes is 50 feet (15 meters)
 - ▶ Up to 40 sources (laptops) can share a single display
 - ▶ Sources can be switched with a single push of a button
- Model:** Conf-con-Tx-HD, HDMI-1-R-II



CONFERENCE CONNECT APPLICATION DIAGRAM

HDMI AUDIO DE-EMBEDDER

- ▶ HDMI Audio De-embedder
 - ▶ With Audio Delay up to 2700 ms
 - ▶ Supports 2 Channel PCM analog audio
 - ▶ Supports Coaxial digital audio
 - ▶ Supports compressed audio (HDMI & Coax)
- Model:** HDMI-DE



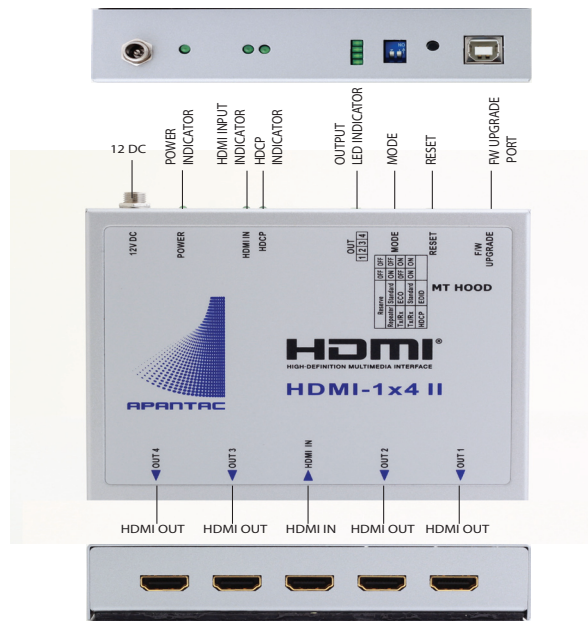
DVI to VGA / VGA to DVI



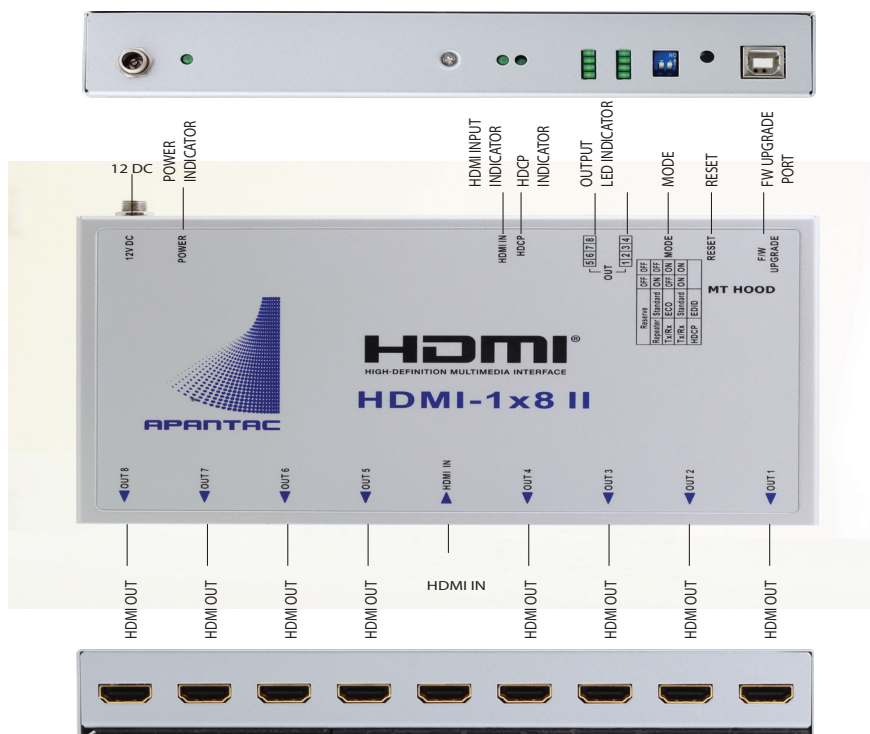
HDMI Splitters

HDMI Splitters

- ▶ Cost Effective HDMI Splitters
 - ▶ 1 HDMI Input, 4 / 8 HDMI outputs
 - ▶ HDCP Compliant
 - ▶ Supports up to 1080p60Hz
 - ▶ Magnetic base for easy mounting
- Model:** HDMI-1x4-II, HDMI-1x8-II



HDMI-1x4-II



HDMI-1x8-II

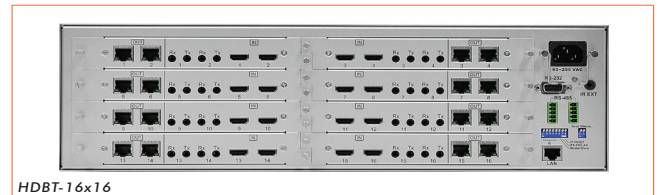
MT HOOD HDMI Solutions

HDBaseT Matrices / Splitters

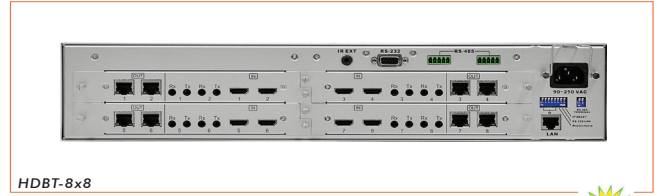
- ▶ HDMI 1.3
 - ▶ HDCP compliant
 - ▶ Supports 4K x 2K (8 bit) @ 30Hz
 - ▶ Supports 1080P (12 bit) @ 60Hz
 - ▶ Supports 3D
 - ▶ EDID management
 - ▶ 8 presets
 - ▶ IR Pass-through from input to output
 - ▶ Bi-directional IR
 - ▶ Output can be a mix of HDMI or *RJ45 (HDBT)
 - ▶ RJ45 extension up to 330 ft / 100 m
 - ▶ IP and RS232 control
 - ▶ Modular design
 - ▶ **Models:** HDBT-1x8, HDBT-2x4, HDBT-1x16
HDBT-16x16, HDBT-8x8, HDB-4x4
prewired models also available
upon request
- *Ask for a special quote

HDBaseT Extenders

- ▶ HDMI 1.3
 - ▶ HDCP compliant
 - ▶ Supports 4K x 2K (8 bit) @ 30Hz
 - ▶ Supports 1080P (12 bit) @ 60Hz
 - ▶ Supports 3D
 - ▶ *POE on Receiver
 - ▶ *8 port Ethernet Hub (4 on Tx and 4 on Rx)
 - ▶ **POE can be on either Transmitter or Receiver
 - ▶ **GPI on Transmitter for Remote Control
 - ▶ ***VGA / HDMI switch on the input
 - ▶ IR/RS232 pass through from input to output
 - ▶ Bi-directional IR
 - ▶ RJ45 extension up to 330 ft / 100 m
 - ▶ **Models:** HDBT-1-E, HDBT-1-R
HDBT-1-Ex, HDBT-1-Rx
HDBT-1-Es, HDBT-1-Rs
HDBT-1-EAP, HDBT-1-RAP
HDBT-1-EAPv
- * Only Available on HDBT-1-Ex and HDBT-1-Rx
- ** Only Available on HDBT-1-EAP, HDBT-1-RAP and HDBT-1-EAPv
- *** Only Available on HDBT-1-EAPv



HDBT-16x16



HDBT-8x8



HDBT-4x4



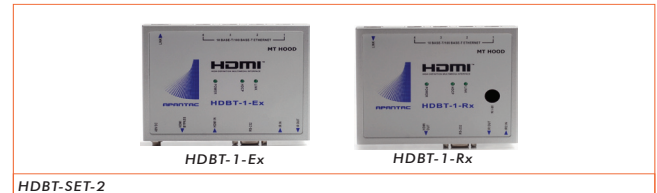
HDBT-1x16



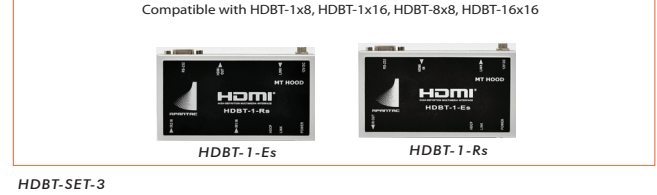
HDBT-1x8



HDBT-SET-1



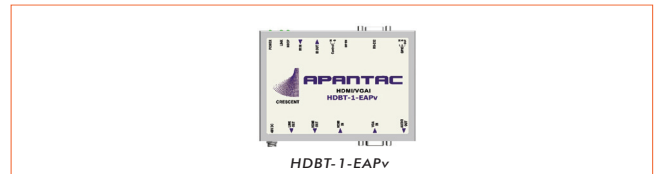
HDBT-SET-2



HDBT-SET-3



HDBT-SET-4



HDBT-1-EAPv

MT HOOD HDMI Solutions

HDMI Splitters

- ▶ HDMI 1.3
 - ▶ HDCP compliant
 - ▶ Supports UXGA, 480p, 480i, 720p, 1080i, 1080P, deep color up *12 bit.
 - ▶ **Rack Mountable
 - ▶ Can be cascaded.
- Models:** HDMI-1x2, HDMI-1x4
HDMI-1x8
- *12 bit support is only available in HDMI-1x4 and HDMI 1x8
- **Rack mount is only available for HDMI-1x4 and HDMI-1x8, not HDMI-1x2



HDMI Extenders

- ▶ HDMI 1.3
 - ▶ HDCP compliant
 - ▶ Supports 1080P
 - ▶ *Supports 3D
 - ▶ *IR pass-through from input to output
 - ▶ RJ45 extension up to 115 ft / 35 m
- Models:** HDMI-1-E, HDMI-1-R
HDMI-1-E-IR, HDMI-1-R-IR
- *Only available in HDMI-1-E-IR and HDMI-1-R-IR



HDMI Matrices

- ▶ HDMI 1.3
 - ▶ HDCP compliant
 - ▶ Supports 1080P (12 bit) @ 60Hz
 - ▶ EDID management
 - ▶ Bi-directional IR
 - ▶ Front panel LCD for status display
 - ▶ IP*, IR and RS232 control
- Models:** HDMI-4x4*, HDMI-8x8
HDMI-16x16
- *IP is not available in HDMI-4x4

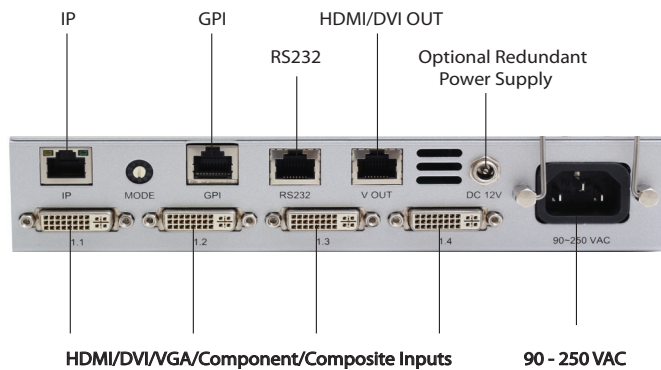


Mini Universal Multiviewer

CRESCENT Mini Universal Multiviewer

- ▶ Cost Effective Multimedia Input Multiviewer
- ▶ 4 Universal Inputs: DVI, HDMI (with HDCP), VGA, YPbPr, Composite
- ▶ Windows Can be Sized Freely
- ▶ Borders, Labels for Each Window
- ▶ ASCII Protocol for Remote Control
- ▶ IP and RS232 Control
- ▶ DVI / HDMI outputs up to 1080P60

Model: MiniDE-4



MiniDE-4



HEADQUARTERS

7556 SW Brigeport Road
Portland, OR 97224
T: +1 503 968 3000
F: +1 503 389 7921
E: info@apantac.com

US West Coast

T: +1 714 815 7421
F: +1 714 879 3079
E: Bill.Gray@apantac.com

US East Coast

T: +1 814 235 2365
M: +1 814 753 0000
E: Dave.Campbell@apantac.com

JAPAN

T: +81 90 1843 7628
E: Hiroo.Sasaki@apantac.com

EMEA

T: +33 6 2483 0742
E: Michel.Rudelle@apantac.com
Skype: michel-rudelle

ASIA

T: +886 975 395 580
E: CK.Chou@apantac.com
Skype: ckchou

CHINA

T: +86 10 8795 5211
M: +86 1391 093 0624
E: Jumping.Zhao@apantac.com

About APANTAC LLC

Apantac LLC is a leading designer and developer of high quality, cost effective image and signal processing equipment. The Apantac product line has been specifically designed to provide users with flexible and innovative technology solutions for signal extension and processing.

The Apantac product line includes, Multiviewers, DVI, VGA, HDMI, KVM, Universal and touch-screen extenders / splitters / receivers, Fiber Optic Extenders, HDMI matrix switches, KVM switches, and DA's, converters and scalers

These products are sold globally through direct selling channels, a growing network of dealers, system integrators, OEM's and various other partners.

Apantac was founded in 2008 and is a privately held company with its headquarters located in Portland, Oregon, USA.

APANTAC

